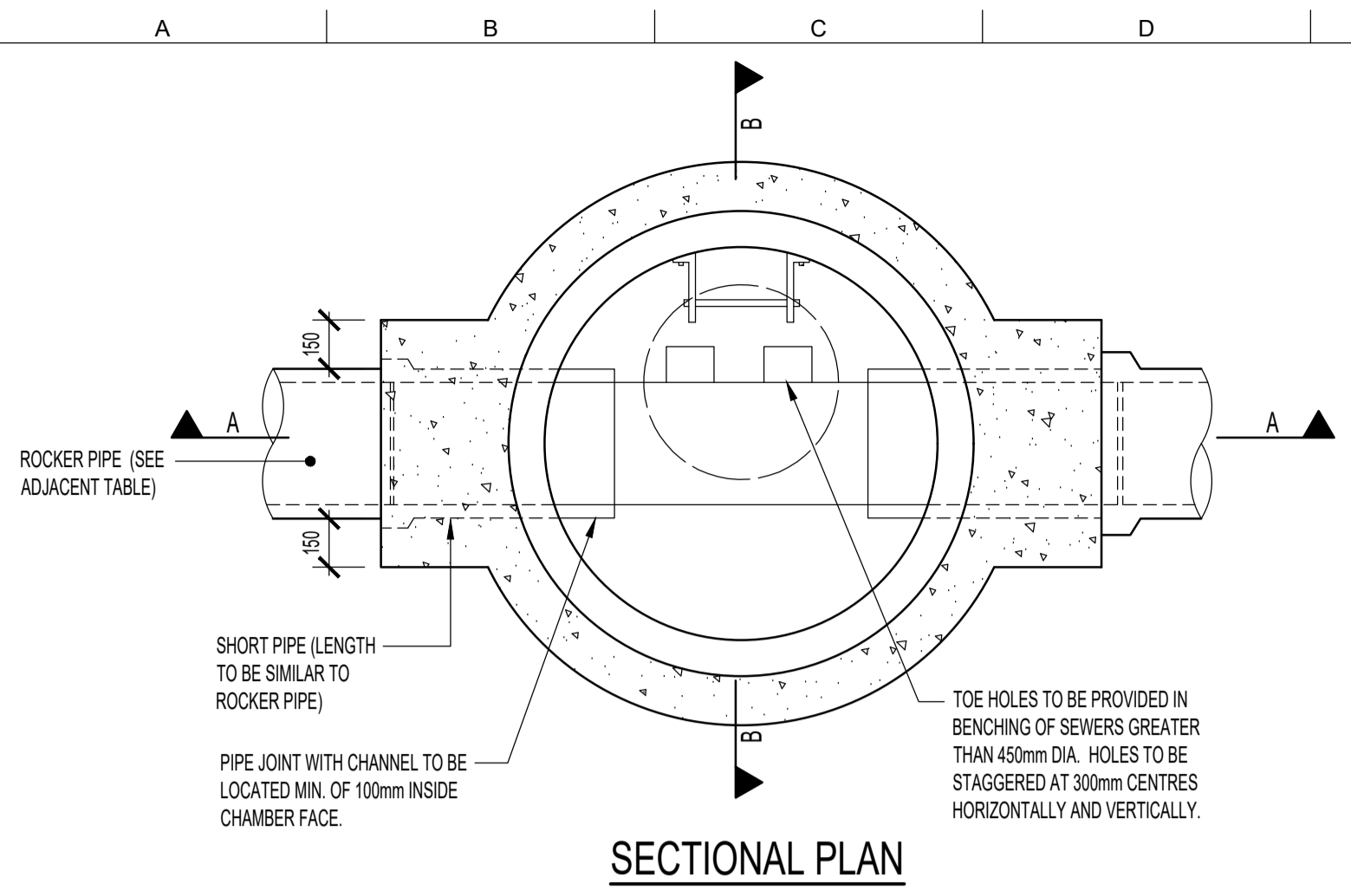


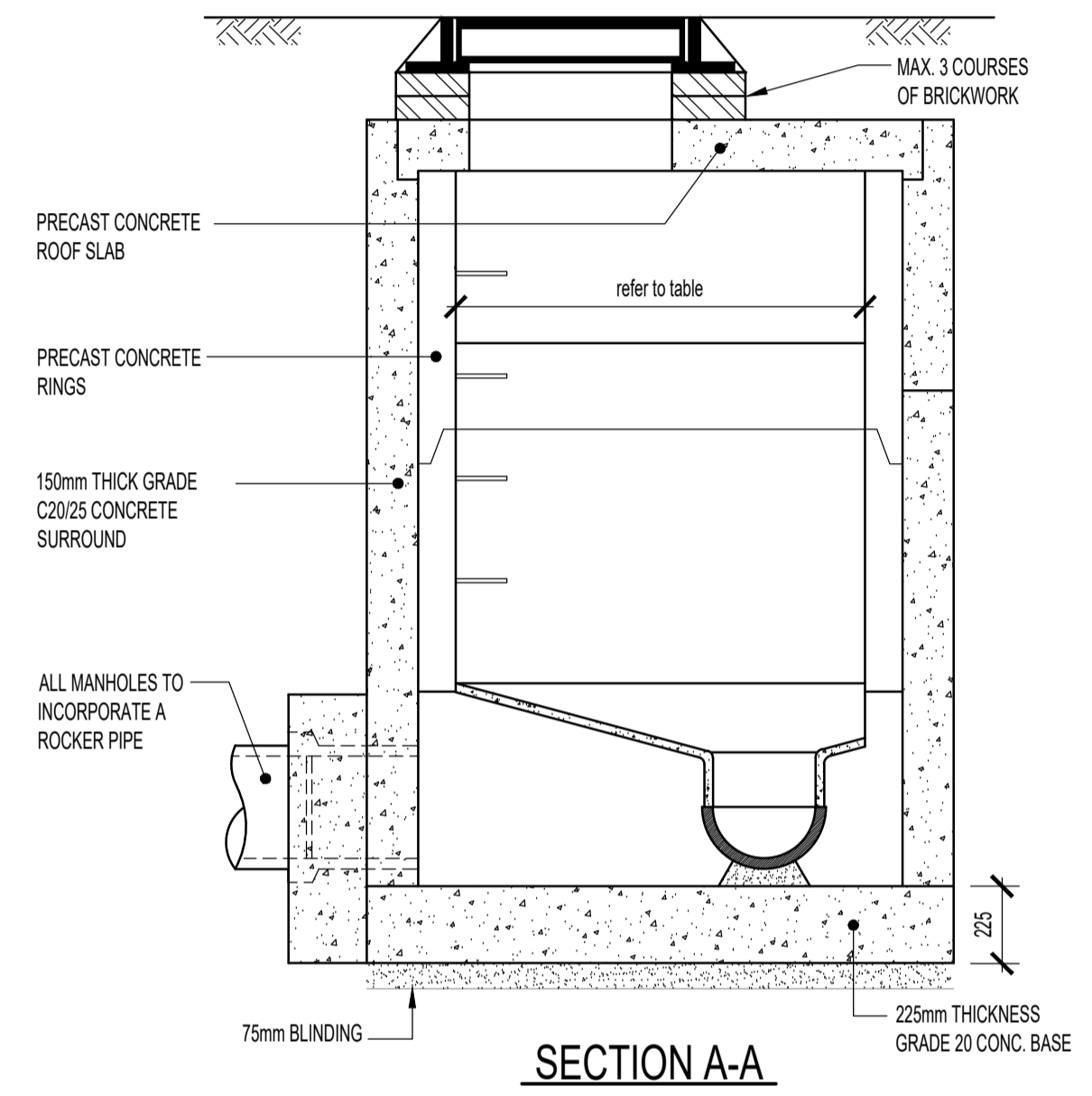
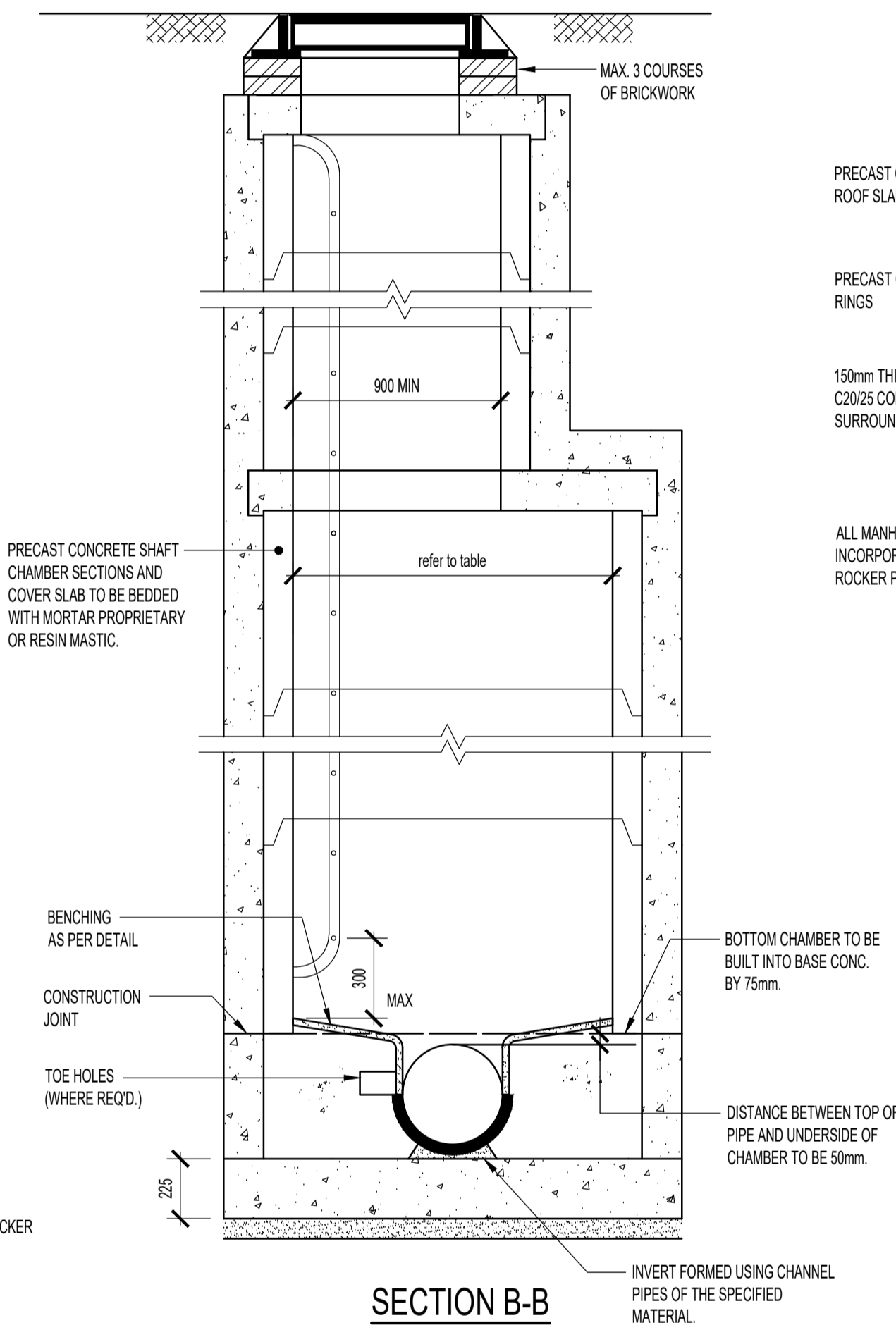
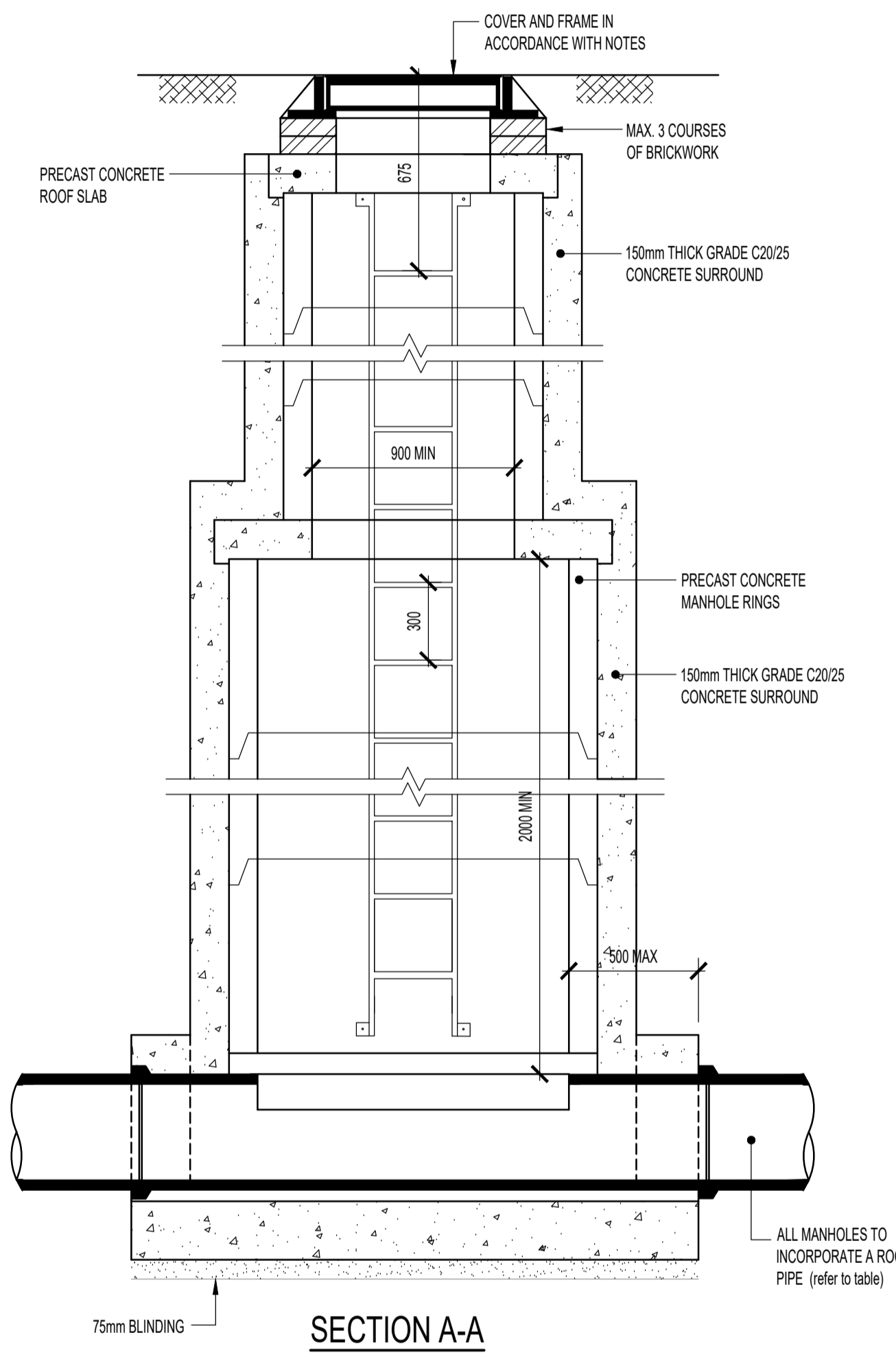
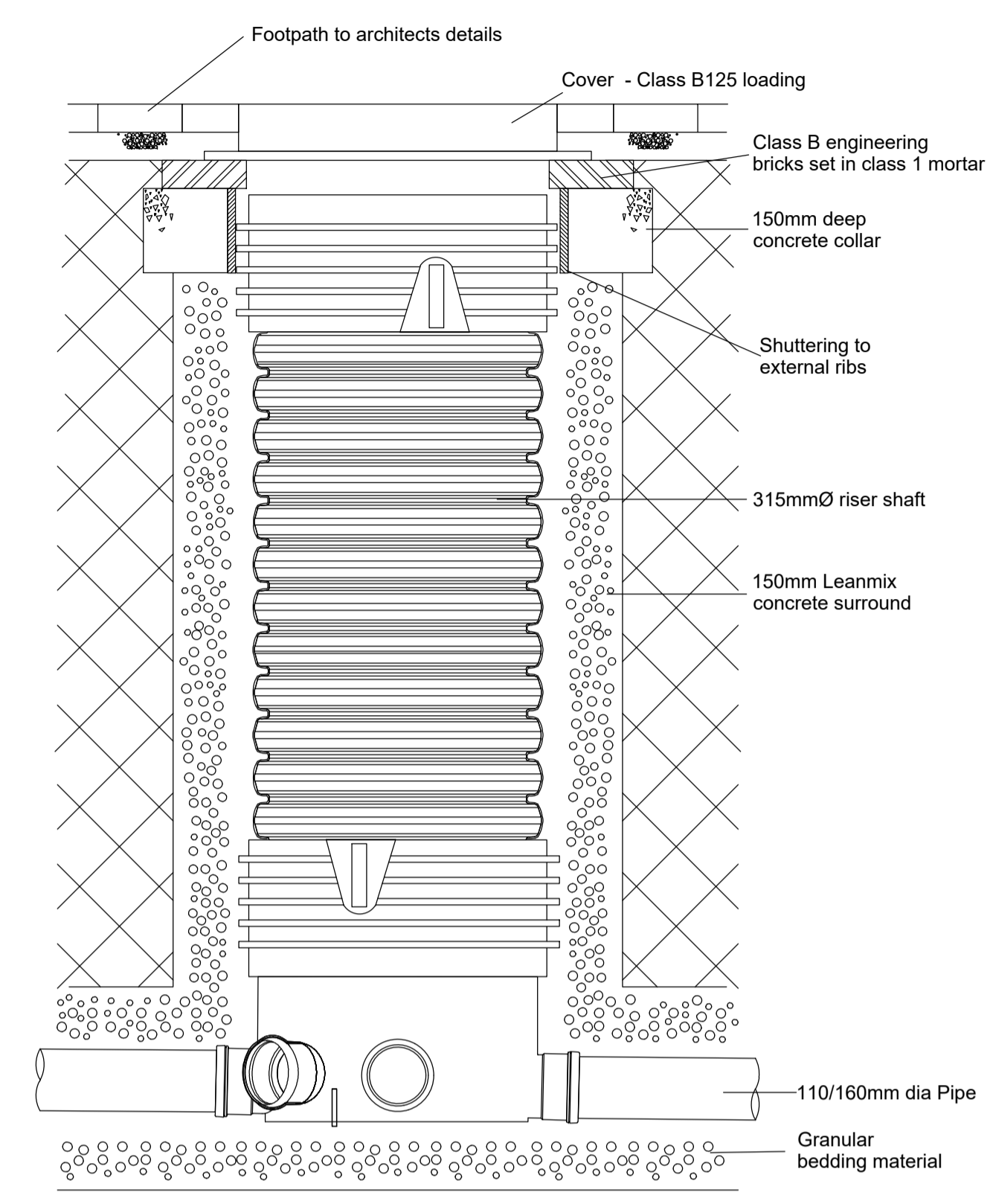
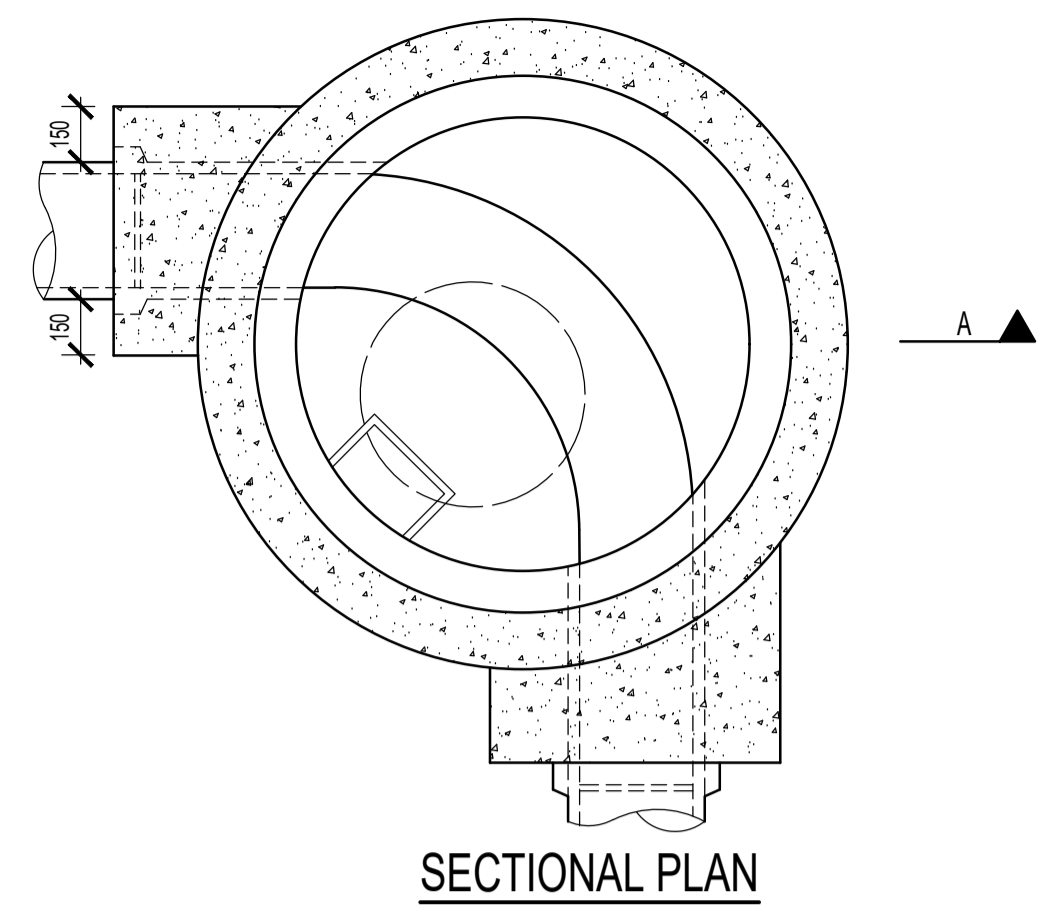
A1  
1  
2  
3  
4  
5  
6  
7  
8  
9  
10  
11



CORNER MANHOLE SIZES	
PIPE DIA. mm	MANHOLE SIZE DIA.
100 - 300	1.2m Ø
375 - 525	1.5m Ø
600 - 700	1.8m Ø
900	2.1m Ø

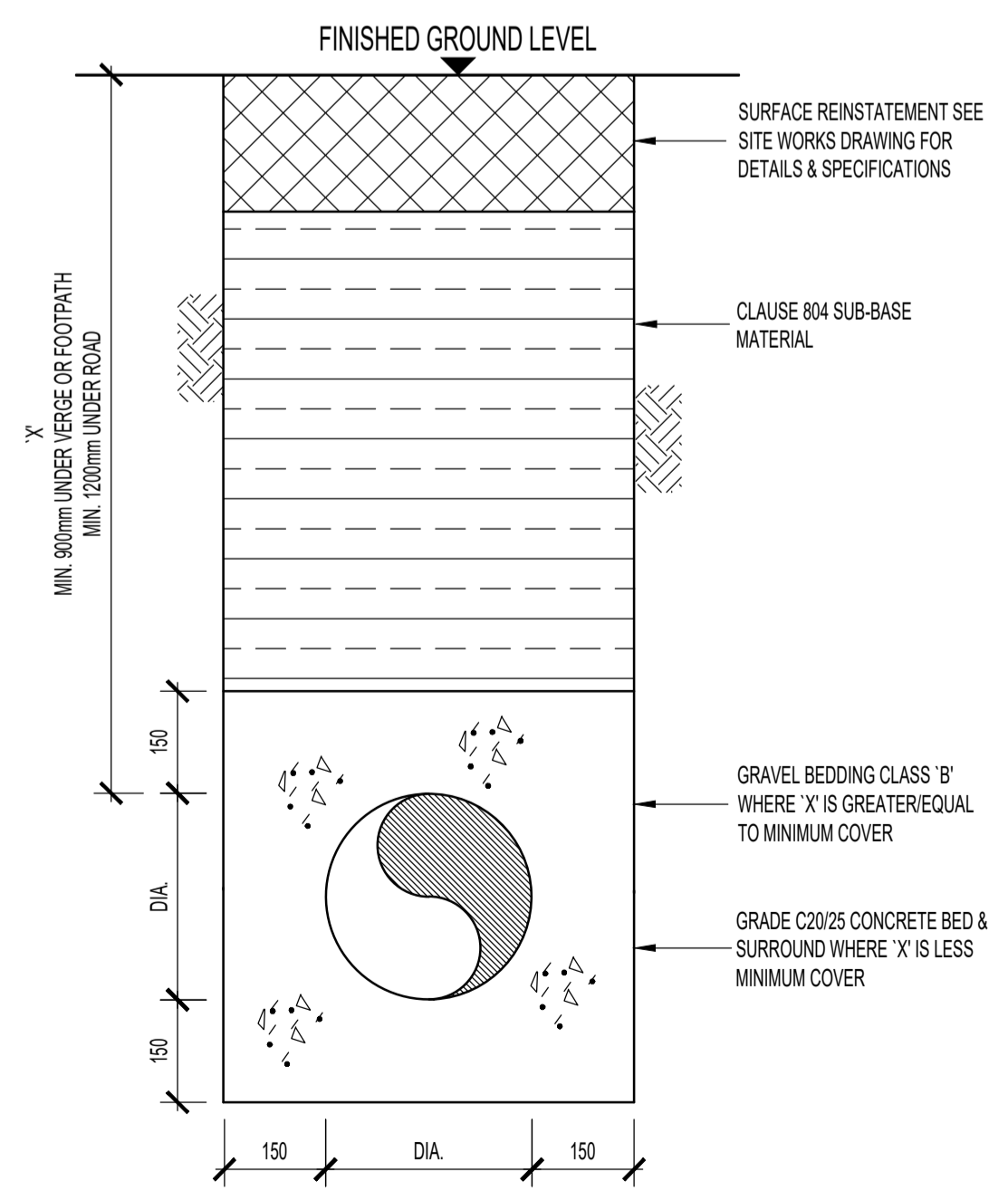
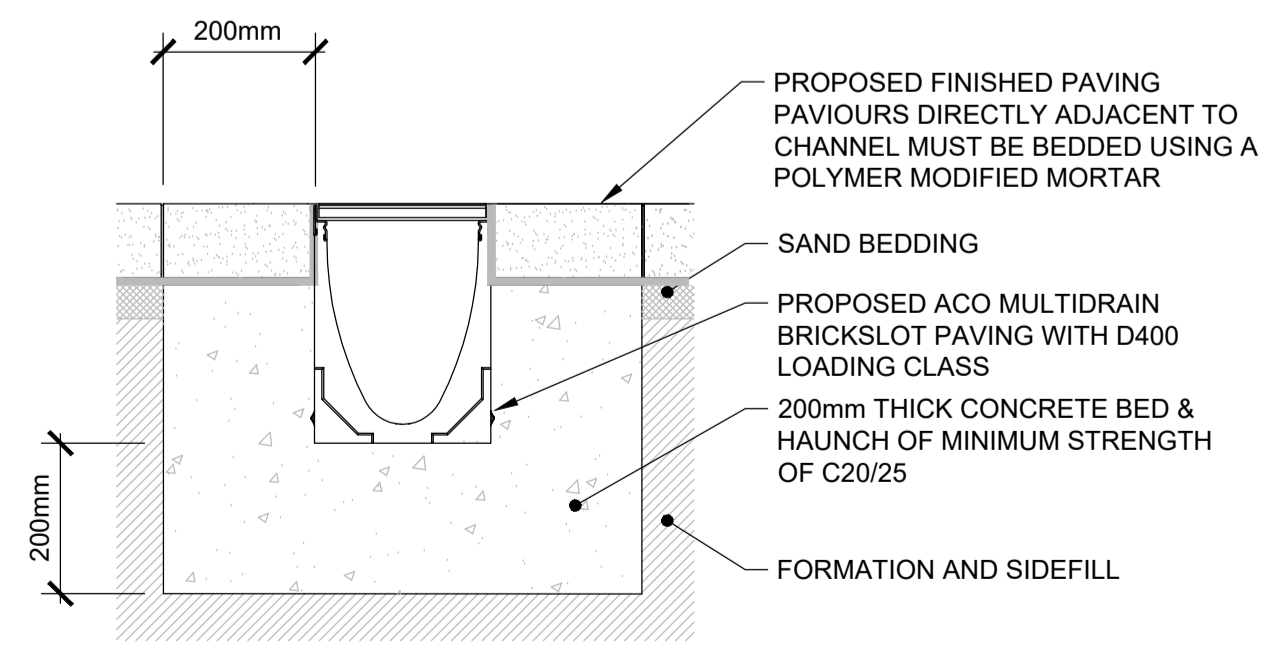
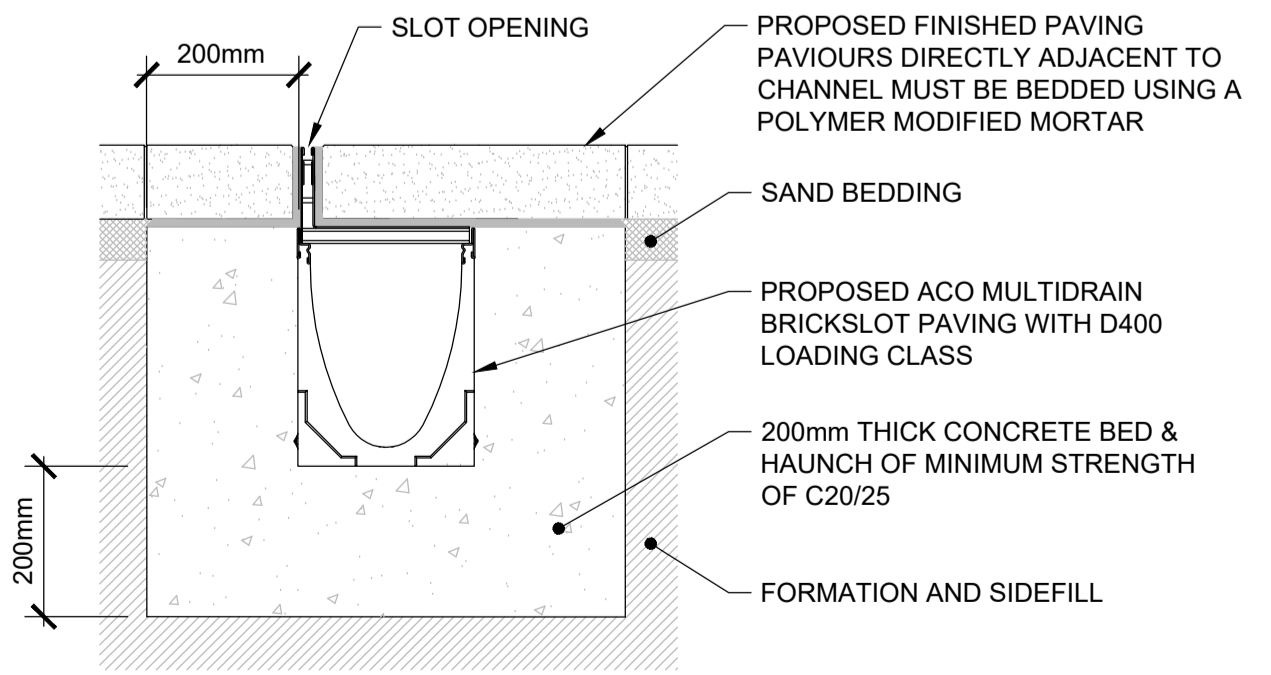
MANHOLE SIZES	
PIPE DIA. mm	MANHOLE SIZE DIA.
100 - 450	1.2m Ø
525 - 750	1.5m Ø
900	1.8m Ø

ROCKER PIPES	
PIPE DIA. mm	ROCKER PIPE LENGTH
150 - 450	0.5 - 0.75M
525 - 750	0.75 - 1.0M
900	1.0M



PRECAST CONCRETE CORNER MANHOLE  
(IF OVER 3.0m DEEP USE SHAFT AS FOR DEEP MANHOLE) (SCALE 1:20)

DEEP PRECAST CONCRETE MANHOLE  
(DEPTHS OVER 3.0m & UP TO 5.5m) (SCALE 1:20)



Notes:  
1. This drawing shall be read in conjunction with all other relevant specifications & drawings including civil site drawings.

C01	13/03/19	J.B.	F.O.S.	J.D.
Issued for Construction				
P04	07/03/19	J.B.	F.O.S.	F.O.S
Issued for Construction Approval				
P03	05/10/18	JTC	F.O.S.	J.D.
Issued for Construction Approval				
P02	23/07/18	B.M.	F.O.S.	J.D.
Issued for Tender				
P01	28/06/18	B.M.	F.O.S.	J.D.
Issued for Review & Comment				
Rev	Date	By	Chkd	Appd

**ARUP**  
One Albert Quay  
Cork, Ireland  
Tel +353 (0)21 427 7670 Fax +353 (0)21 427 2345  
www.arup.com

Client  
**HQ** **bam**  
CLARENDON

Project Title  
**HQ**  
Horgan's Quay

Drawing Title  
**Proposed Typical Drainage**  
Details Sheet 2

Scale at A1 As Shown  
Role Civil  
Suitability A4 - Approved as Stage Complete  
Arup Job No **252901-00** Rev **C01**  
Name **HQDPR-ARP-ZZ-XX-DR-C-3302**