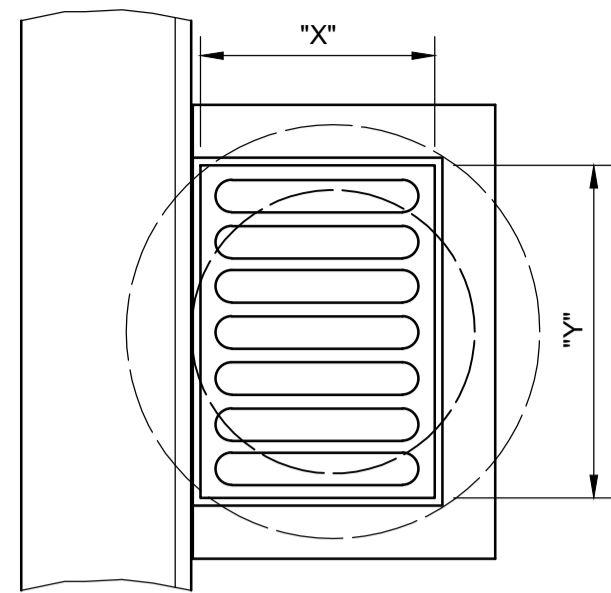


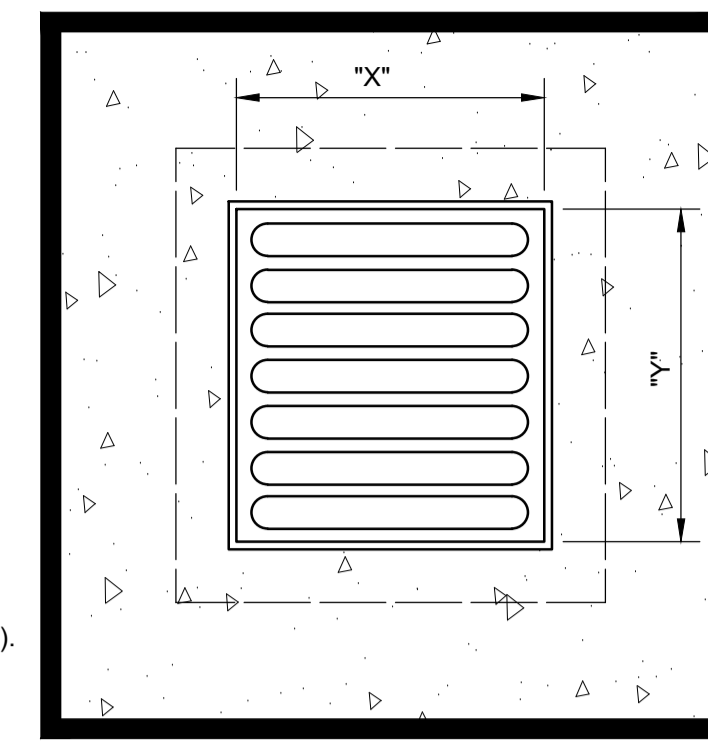
Plan

Note :-
"X" & "Y" Dimensions fixed to suit the area drained, design in accordance with B.S. 6367 (drainage of roofs and paved areas).



Plan

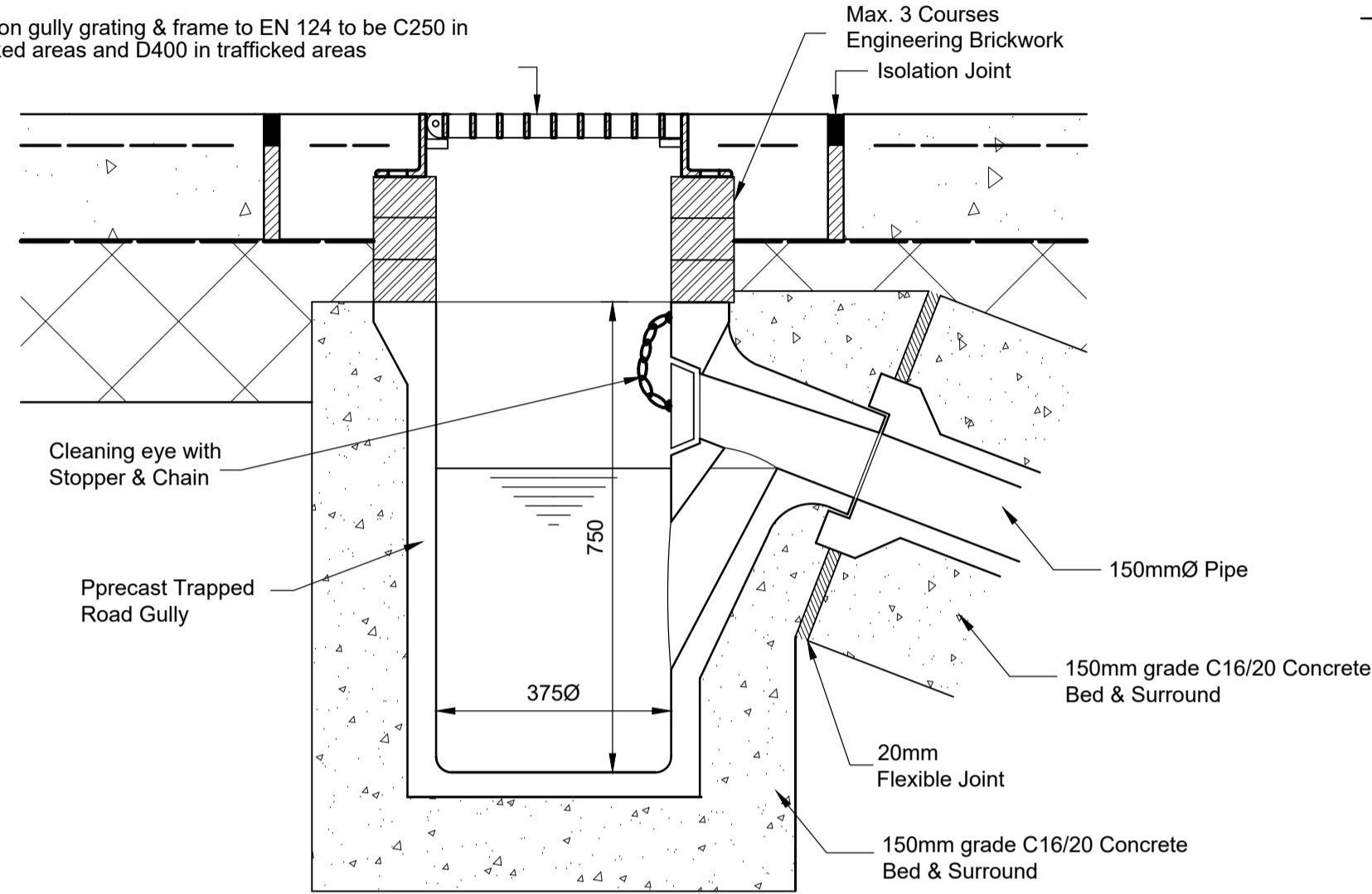
Note :-
"X" & "Y" Dimensions fixed to suit the area drained, design in accordance with B.S. 6367 (drainage of roofs and paved areas).



Plan

Note :-
"X" & "Y" Dimensions fixed to suit the area drained, design in accordance with B.S. 6367 (drainage of roofs and paved areas).

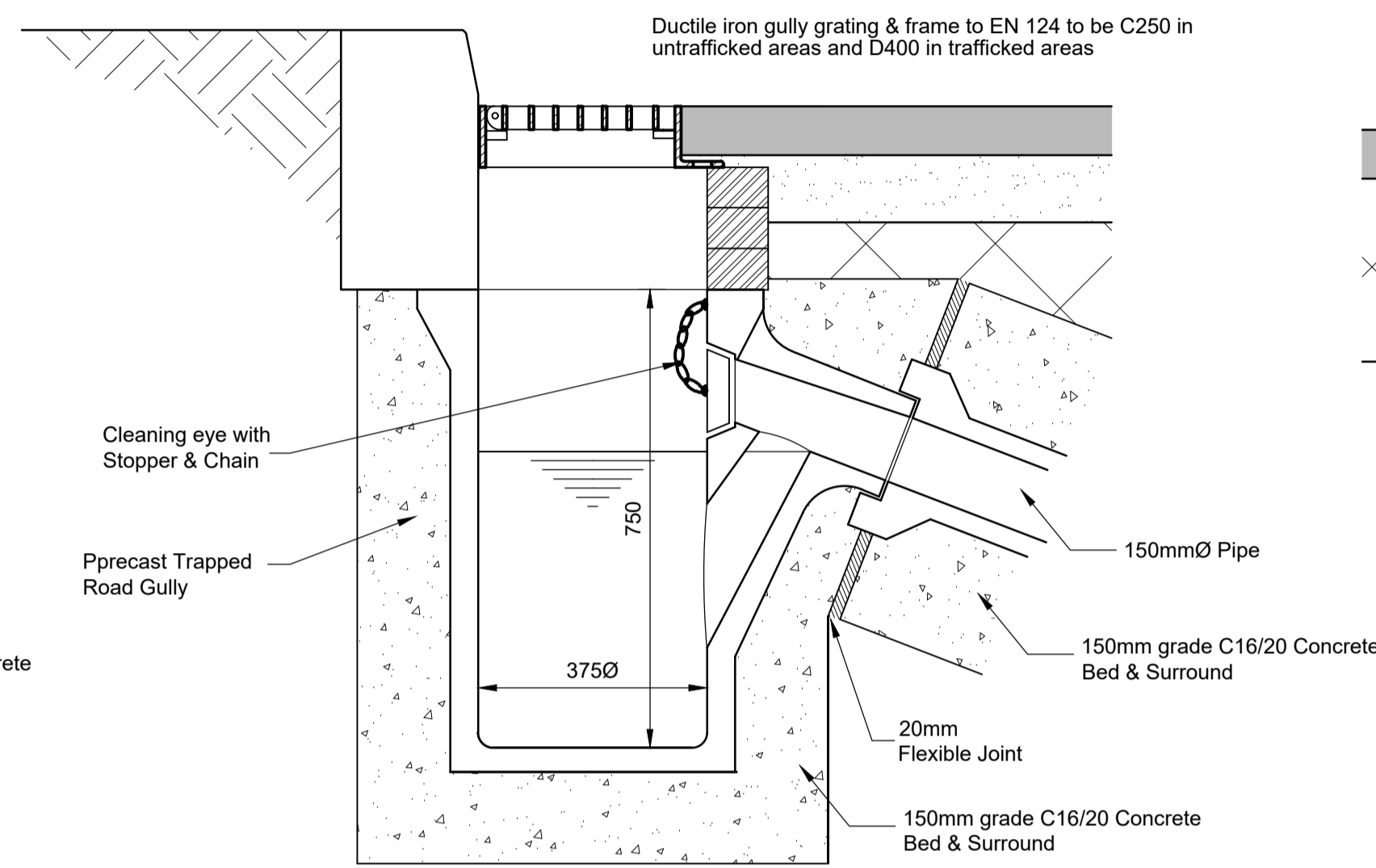
Ductile iron gully grating & frame to EN 124 to be C250 in untrafficked areas and D400 in trafficked areas



Typical Road / Carpark / Yard Gully Details

Scale 1:10

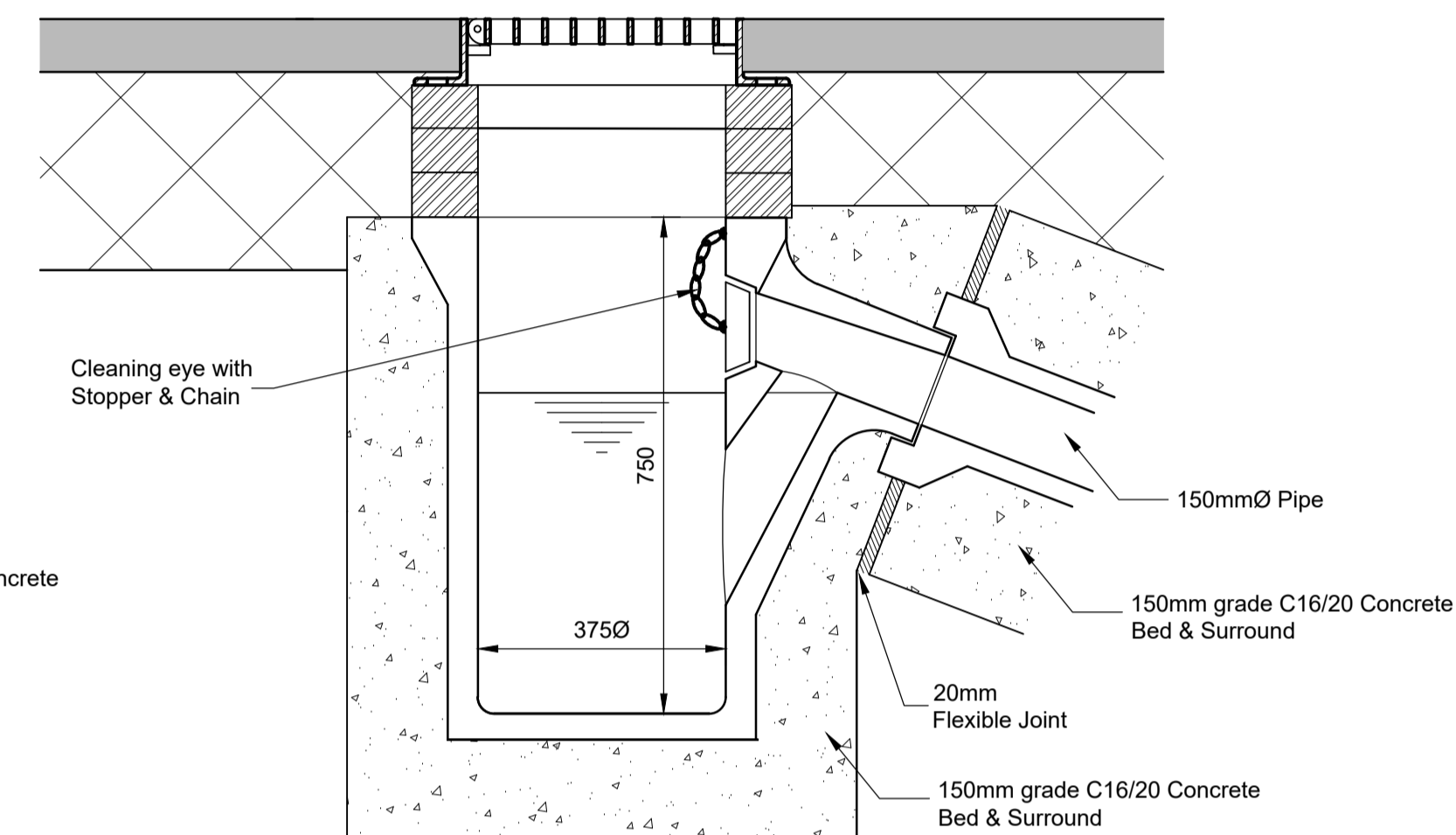
Slipformed Kerb



Typical Road Gully Detail Adjacent to Kerb

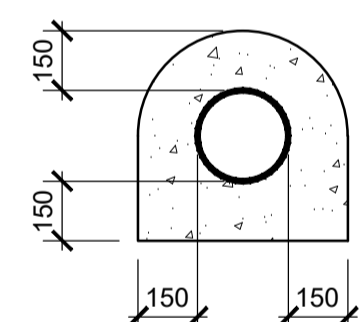
SCALE 1:10

Ductile iron gully grating & frame to EN 124 to be C250 in untrafficked areas and D400 in trafficked areas



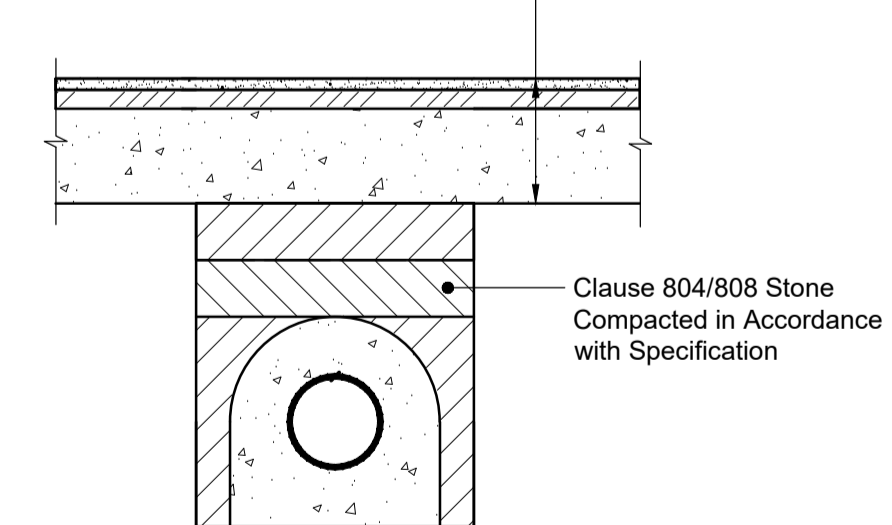
Typical Road Gully Details For carpark

Scale 1:10

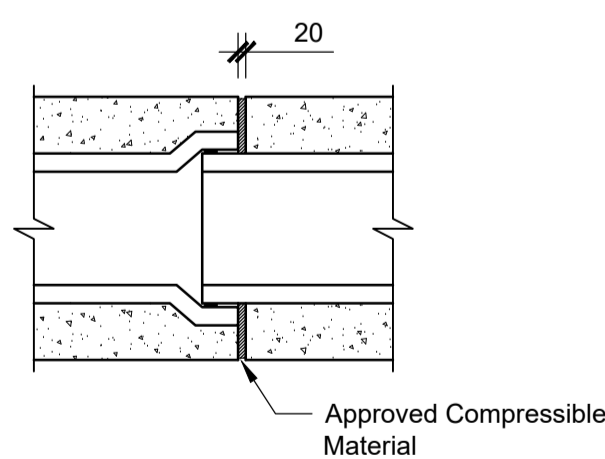


Concrete Bed & Surround

Surface Finish and Sub base (As Described elsewhere)



Concrete Bed & Surround



Joint in Concrete Surround to Flexible Jointed Spigot Socket Concrete Pipes

Construction Details for Concrete Bed and Surround to Surface Water and Foul Drainage

Scale 1:20

Notes:

- This drawing shall be read in conjunction with all other relevant specifications & drawings including civil site drawings.

C01	12/04/19	D.F.	F.O.S.	J.D.
Issued for Construction (Status A4)				
P03	05/10/18	JTC	F.O.S.	J.D.
Issued for Construction Approval				
P02	23/07/18	B.M.	F.O.S.	J.D.
Issued for Tender				
P01	05/07/18	B.M.	F.O.S.	J.D.
Issued for Review & Comment				
Rev	Date	By	Chkd	Appd

ARUP

One Albert Quay
Cork, Ireland
Tel +353 (0)21 427 7670 Fax +353 (0)21 427 2345
www.arup.com

Client



Project Title

HQ
Horgan's Quay

Drawing Title

Proposed Typical Drainage
Details Sheet 3

Scale at A1 As Shown

Role Civil

Suitability A4 - Approved as Stage Complete

Arup Job No

252901-00

Rev

C01

Name
HQDPR-ARP-ZZ-XX-DR-C-3303